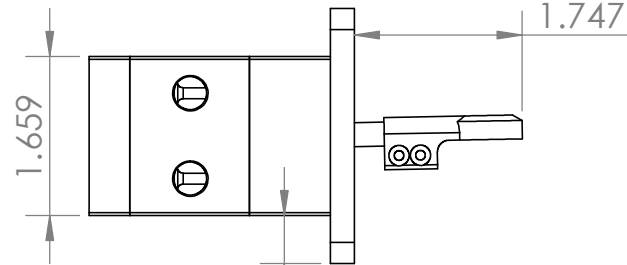
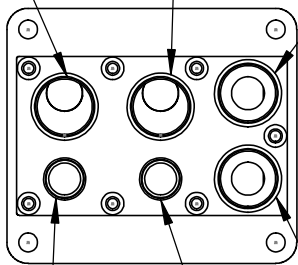


Port #2
3/8 NPT

Port #1
3/8 NPT

IN (tank)
3/8 NPT



1.659

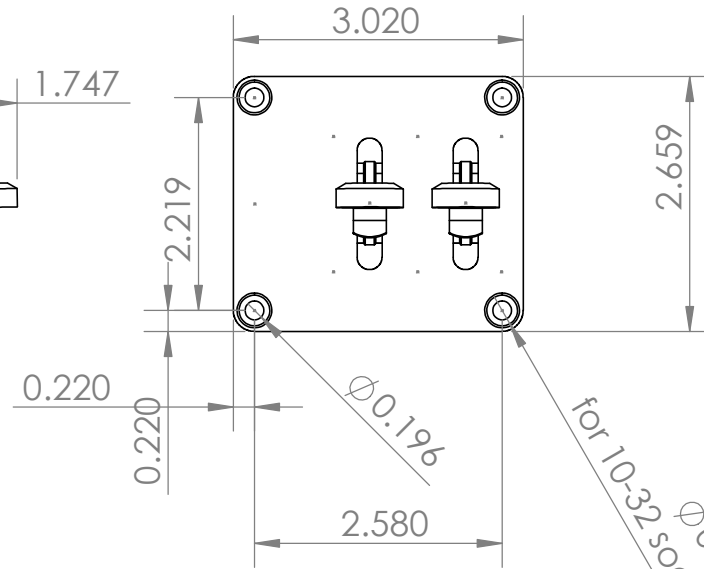
1.747

0.500

OUT (exhaust)
3/8 NPT

Gauge Port #1
1/8 NPT

Gauge Port #2
1/8 NPT



for 10-32 socket hd cap screw
 $\phi 0.320 \cdot 19 \text{ dp}$