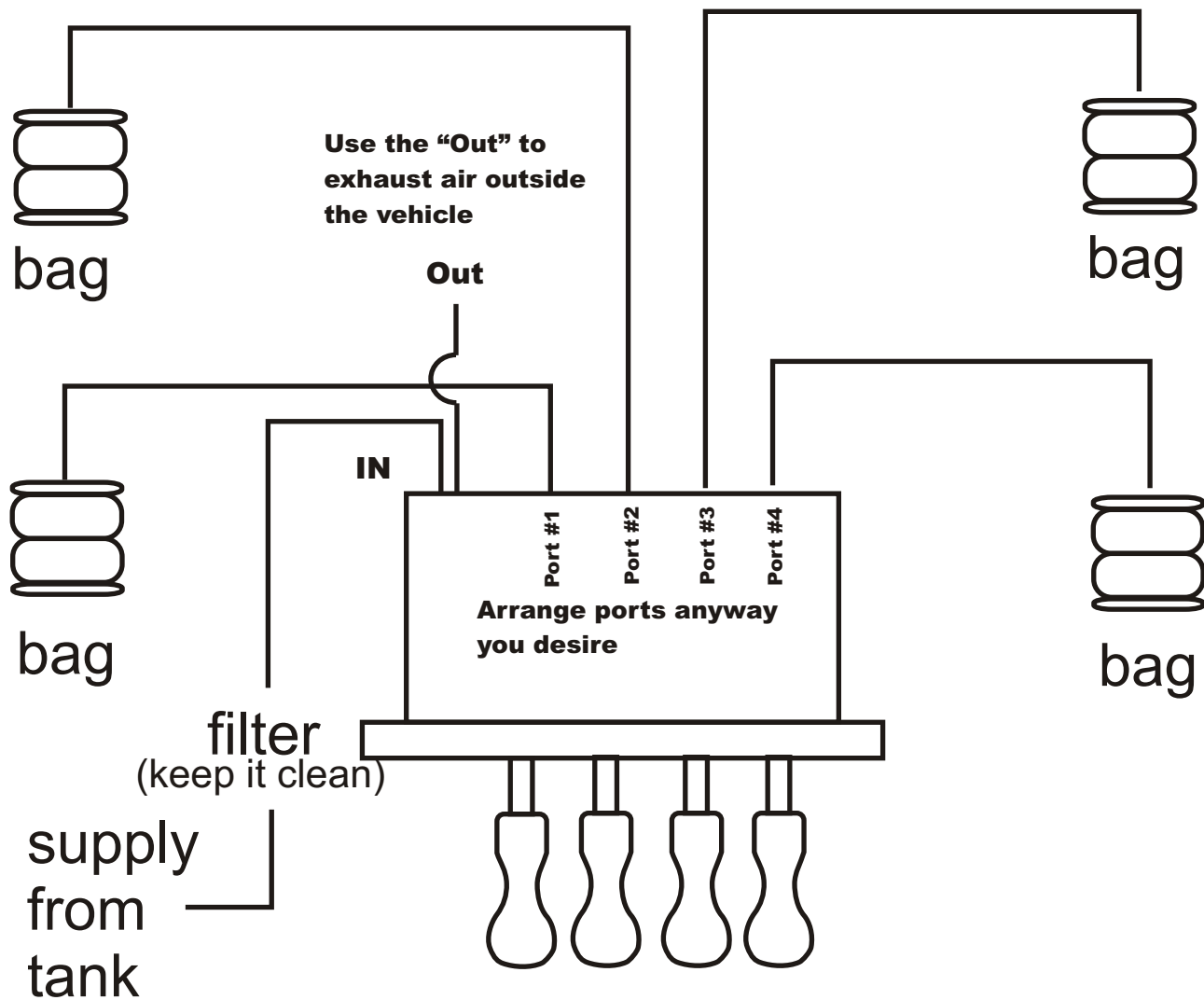


# Aire Jax

# FOURPLAY

## connection diagram for a working system



The larger the air lines you use, the faster your bags will fill and drain. Internal valve design will handle 1/2" OD hose. All port connections are 3/8" NPT except the gauge port is 1/8" NPT. Install a filter in your supply line to increase the life of your system. When the valves are new the valves may stick. Use motor oil to lubricate the brass spools that can be seen through the slots behind the handles and about 10 drops in the "IN" port.

If you have any questions feel free to call 800-299-7773 or email [jay@airejax.com](mailto:jay@airejax.com)

Thank you for choosing Aire Jax.