

# H1-600CO1B-GAA

## Detailed Description

Performance		
Lamp	Number	1
	Watts	600W
InputVolts	120V	240V
Input Current@600W	5.60A	2.80A
Input Power@600W	655W	645W
Min Power Factor	0.99	
THD	<10%	
Crest Factor	<1.7	

Physical		
Case Length	270mm	10.63"
Case Width	134mm	5.28"
Height	56mm	3.47"
Weight	1.5kg	3.31lb

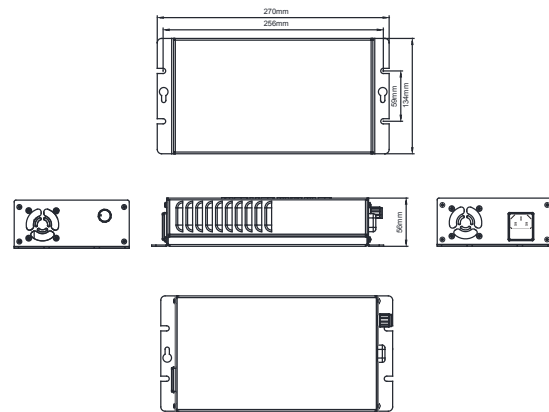
Dimming Type			
Gear	50%	75%	100%

Protections	
1.	End of Lamp Life(EOL)Protection
2.	Short circuit protection
3.	Open circuit protection
4.	Ignition failure protection
5.	Thermal protection

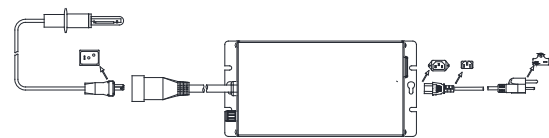
Installation & Application Notes	
1.	Max. allowable case temperature:60°C/140°F.
2.	Ambient Temperature:-20...+40°C/-4...+104°F.
3.	Max. Humidity:95%.
4.	Ignition voltage is 5kV.

Performance Requirements:	
Rated mains voltage:	120-240V
Voltage range (+/-10%):	108-264V
Mains frequency:	50/60Hz
Operation frequency :	100-120kHz

### Main Dimension



### Wiring Diagram



Ballast Case must be Grounded

Tcase max=60°C/140°F

