

Detailed Description

Performance		
Lamp	Number	1
	Watts	600W
InputVolts	120V	240V
Input Current@600W	5.60A	2.80A
Input Current@660W	6.00A	2.96A
Input Power@600W	655W	645W
Input Power@660W	720W	710W
Min Power Factor	0.99	
THD	<10%	
Crest Factor	<1.7	

Physical		
Case Length	579mm	22.79"
Case Width	236mm	9.29"
Height	271mm	10.67"
Weight	6.0kg	13.22lb

Dimming Type						
Gear	300	400	500	600	660	EXT

1.External control: Megabright Master Controller

Protections

- 1.End of Lamp Life(EOL)Protection
- 2.Short circuit protection
- 3.Open circuit protection
- 4.Ignition failure protection
- 5.Thermal protection
- 6.Tree color status LED advanced status indication and status history
- 7.Suitable for Megabright Master Controller
- 8.Total control range 50-110%

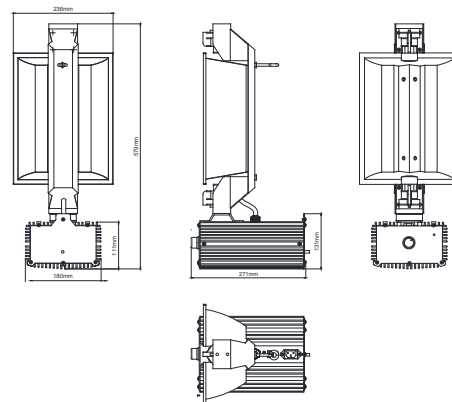
Installation & Application Notes

- 1.Max. allowable case temperature:75°C/167°F.
- 2.Ambient Temperature:-20...+40°C/-4...+104°F.
- 3.Max. Humidity:95%.
- 4.Ignition voltage is 5kV.

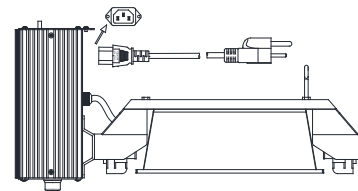
Performance Requirements:

Rated mains voltage:	120-240V
Voltage range (+/-10%):	108-264V
Mains frequency:	50/60Hz
Operation frequency :	100-120kHz

Main Dimension



Wiring Diagram



Ballast Case must be Grounded

Tcase max=75°C/167°F

