

# H1-1000CO1B-GAA

## Detailed Description

Performance			
Lamp	Number	1	
	Watts	1000W	
InputVolts		120V	240V
Input Current@1000W		9.30A	4.60A
Input Power@1000W		1085W	1055W
Min Power Factor		0.99	
THD		<10%	
Crest Factor		<1.7	

Physical			
Case Length	270mm	10.63"	
Case Width	134mm	5.28"	
Height	56mm	3.47"	
Weight	1.5kg	3.31lb	

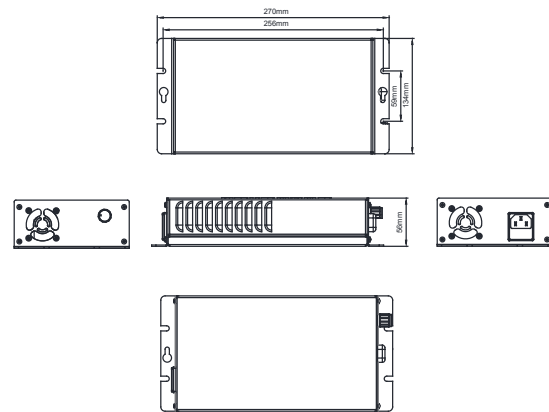
Dimming Type			
Gear	50%	75%	100%

Protections			
1.End of Lamp Life(EOL)Protection			
2.Short circuit protection			
3.Open circuit protection			
4.Ignition failure protection			
5.Thermal protection			

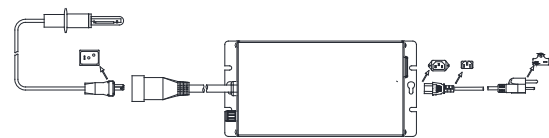
Installation & Application Notes			
1.Max. allowable case temperature:60°C/140°F.			
2.Ambient Temperature:-20...+40°C/-4...+104°F.			
3.Max. Humidity:95%.			
4.Ignition voltage is 5kV.			

Performance Requirements:	
Rated mains voltage:	120-240V
Voltage range (+/-10%):	108-264V
Mains frequency:	50/60Hz
Operation frequency :	100-120kHz

### Main Dimension



### Wiring Diagram



### Ballast Case must be Grounded

Tcase max=60°C/140°F

