

H1-1000CLW-GBE

Detailed Description

Performance		
Lamp	Number	1
	Watts	1000W
InputVolts	120V	240V
Input Power@1000W	1085W	1055W
Input Current@1000W	9.30A	4.60A
Min Power Factor	0.99	
THD	<10%	
Crest Factor	<1.7	

Physical		
Case Length	573mm	22.56"
Case Width	276mm	10.86"
Height	271mm	10.67"
Weight	6.3kg	13.89lb

Dimming Type				
Gear	600	750	1000	1150

Protections

- 1.End of Lamp Life(EOL)Protection
- 2.Short circuit protection
- 3.Open circuit protection
- 4.Ignition failure protection
- 5.Thermal protection

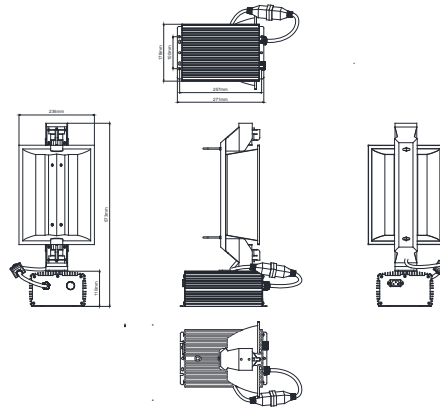
Installation & Application Notes

- 1.Max. allowable case temperature:75°C/167°F.
- 2.Ambient Temperature:-20...+40°C/-4...+104°F.
- 3.Max. Humidity:95%.
- 4.Ignition voltage is 5kV.

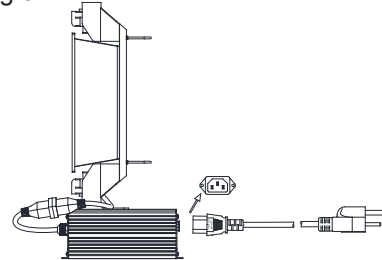
Performance Requirements:

Rated mains voltage:	120-240V
Voltage range (+/-10%):	108-264V
Mains frequency:	50/60Hz
Operation frequency :	100-120kHz

Main Dimension



Wiring Diagram



Ballast Case must be Grounded

Tcase max=75°C/167°F

